

CJBD

CJBD: Magnelis sheet steel ventilation units with maximum corrosion resistance according to ISO 12944

CJBD/INT: Ventilation units with built-in switch and Magnelis sheet steel with maximum corrosion resistance according to ISO 12944

CJBD/C: Ventilation units with circular inlet and outlet and Magnelis sheet steel with maximum corrosion resistance according to ISO 12944

CJBD/F: Ventilation units with built-in filter and Magnelis sheet steel with maximum corrosion resistance according to ISO 12944



Magnelis
An ArcelorMittal product

Fan:

- CBD series double inlet fans.
- Category C5 anti-corrosive Magnelis sheet steel structure with thermal and acoustic insulation.
- Forward curved impeller in galvanised sheet steel.
- Glands for cable entry.

Motor:

- Enclosed motors with built-in thermal protector, class F, with ball bearings, IP54 protection.

- Single-phase 220-240 V 50 Hz and three-phase 220-240/380-415 V 50 Hz.
- Working temperature: -25 °C +60 °C.

Finish:

- Magnelis steel sheet.

On request:

- With circular outlet.

Order code

CJBD — **2525** — **6M** — **1/3**

↓		↓		↓	↓	↓
CJBD: Magnelis sheet steel ventilation units with maximum corrosion resistance according to ISO 12944		Impeller size mm		Number of motor poles	M = Single-phase	Motor power (HP)
CJBD/INT: Ventilation units with built-in switch and Magnelis sheet steel with maximum corrosion resistance according to ISO 12944		mm inch		4=1400 r/min 50 Hz	T = Three-phase	
CJBD/C: Ventilation units with circular inlet and outlet and Magnelis sheet steel with maximum corrosion resistance according to ISO 12944		1919 7/7		6=900 r/min 50 Hz		
CJBD/F: Ventilation units with built-in filter and Magnelis sheet steel with maximum corrosion resistance according to ISO 12944		2525 9/9				
		2828 10/10				
		3333 12/12				
		3939 15/15				

Options



CJBD/INT

Magnelis
An ArcelorMittal product



CJBD/C

Magnelis
An ArcelorMittal product



CJBD/F

Magnelis
An ArcelorMittal product

CJBD/AL

CJBD/AL: Ventilation units with aluminum profiles and pre-lacquered sheet, acoustically insulated

CJBD/ALS: Ventilation units with double insulating wall, pre-lacquered sheet metal and aluminum profiles

CJBD/ALF: Ventilation units with pre-lacquered sheet metal, built-in filter and aluminum profiles



CJBD/AL
CJBD/ALS



CJBD/ALF

Fan:

- CBD series double inlet fans.
- Aluminium profile structure with thermal insulation and soundproofing.
- Forward curved impeller in galvanised sheet steel.
- Glands for cable entry.

Motor:

- Enclosed motors with built-in thermal protector, class F, with ball bearings, IP54 protection.

- Single-phase 220-240 V 50 Hz and three-phase 220-240/380-415 V 50 Hz.
- Working temperature: -25 °C +60 °C.

Finish:

- Anti-corrosive in pre-lacquered steel sheet and aluminum profiles.

On request:

- With circular outlet.

Order code

CJBD/AL	—	2525	—	6M	—	1/3
----------------	----------	-------------	----------	-----------	----------	------------

CJBD/AL: Ventilation units with aluminum profiles and pre-lacquered sheet, acoustically insulated
 CJBD/ALS: Ventilation units with double insulating wall, pre-lacquered sheet metal and aluminum profiles
 CJBD/ALF: Ventilation units with pre-lacquered sheet metal, built-in filter and aluminum profiles

Impeller size mm	
mm	inch
1919	7/7
2525	9/9
2828	10/10
3333	12/12
3939	15/15

Number of motor poles
 4=1400 r/min 50 Hz
 6=900 r/min 50 Hz

M = Single-phase
 T = Three-phase

Motor power (HP)

Technical characteristics

Model	Speed (r/min)	Maximum admissible current (A)		Installed power (kW)	Maximum flow rate (m³/h)	Sound pressure level¹ dB (A)	Approx. weight (Kg)	
		230V	400V				CJBD	CJBD/AL
1919-4M 1/5	1230	1.40		0.15	1605	52	20	22
1919-6M 1/10	820	0.85		0.08	1465	47	20	22
2525-4M 1/2	1320	3.30		0.37	2950	60	28	32
2525-4M 3/4	1310	4.50		0.55	3950	64	29	32
2525-6M 1/5	850	1.50		0.15	2615	53	27	30
2525-6M 1/3	830	2.20		0.25	2945	55	28	32
2828-4M 1/2	1320	3.30		0.37	2490	59	33	38
2828-4M 3/4	1310	4.50		0.55	3545	64	34	38
2828-6M 1/3	830	2.20		0.25	3500	55	33	37
3333-6T 1 1/2	850	6.60	3,80	1.10	6600	68	48	54
3333-6M 3/4	850	4.30		0.55	4580	57	47	52
3333-6M 1	850	6.00		0.75	6000	64	48	54
3939-6T 3	890	10.90	6,30	2.20	10400	71	72	80

1. The noise level values are pressures in dB(A) measured at a distance of 3 metres in a free field.

Acoustic characteristics

The values given are obtained under laboratory conditions according to ISO 3744.

Sound power spectrum Lw(A) in dB(A) per Hz frequency band
Values measured at inlet with maximum flow rate

	63	125	250	500	1000	2000	4000	8000		63	125	250	500	1000	2000	4000	8000
1919-4M 1/5	47	58	62	66	68	67	66	57	2828-4M 3/4	59	70	74	78	80	79	78	69
1919-6M 1/10	42	53	57	61	63	62	61	52	2828-6M 1/3	50	61	65	69	71	70	69	60
2525-4M 1/2	55	66	70	74	76	75	74	65	3333-6T 1 1/2	63	74	78	82	84	83	82	73
2525-4M 3/4	59	70	74	78	80	79	78	69	3333-6M 3/4	52	63	67	71	73	72	71	62
2525-6M 1/5	48	59	63	67	69	68	67	58	3333-6M 1	59	70	74	78	80	79	78	69
2525-6M 1/3	50	61	65	69	71	70	69	60	3939-6T 3	66	77	81	85	87	86	85	76
2828-4M 1/2	54	65	69	73	75	74	73	64									

Dimensions mm

**CJBD
CJBD/F
CJBD/INT**

CJBD/F

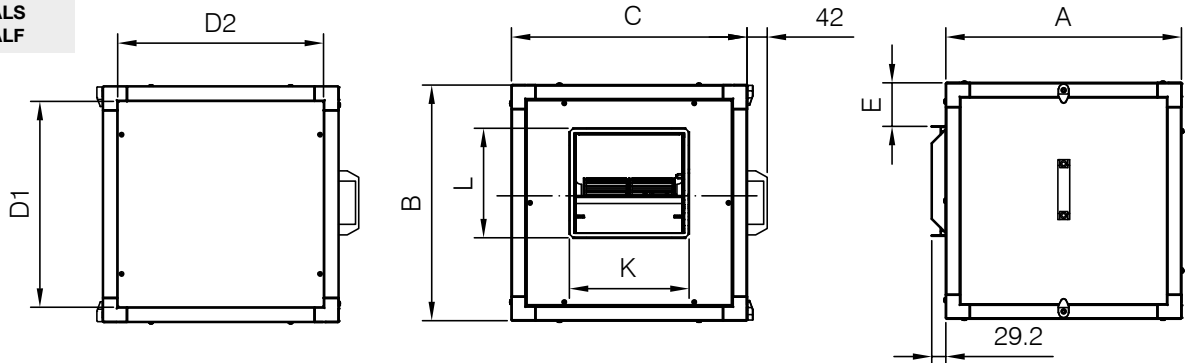
	A	B	C	D	E	F	G	K	L
1919	450	460	500	370	410	115	135	232	210
2525	500	522	550	426	454	107	147	303	268
2828	550	575	600	479	504	104	177	330	294
3333	650	650	700	554	604	105	198	392	347
3939	800	755	800	659	704	105	240	476	410

CJBD/C

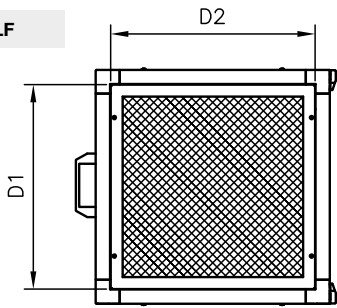
	A	B	C	øD	øE	G1
1919	450	460	500	250	250	245
2525	500	522	550	355	355	283.5
2828	550	575	600	400	400	324.5
3333	650	650	700	500	500	372.5
3939	800	755	800	560	560	443

Dimensions mm

CJBD/AL
CJBD/ALS
CJBD/ALF



CJBD/ALF

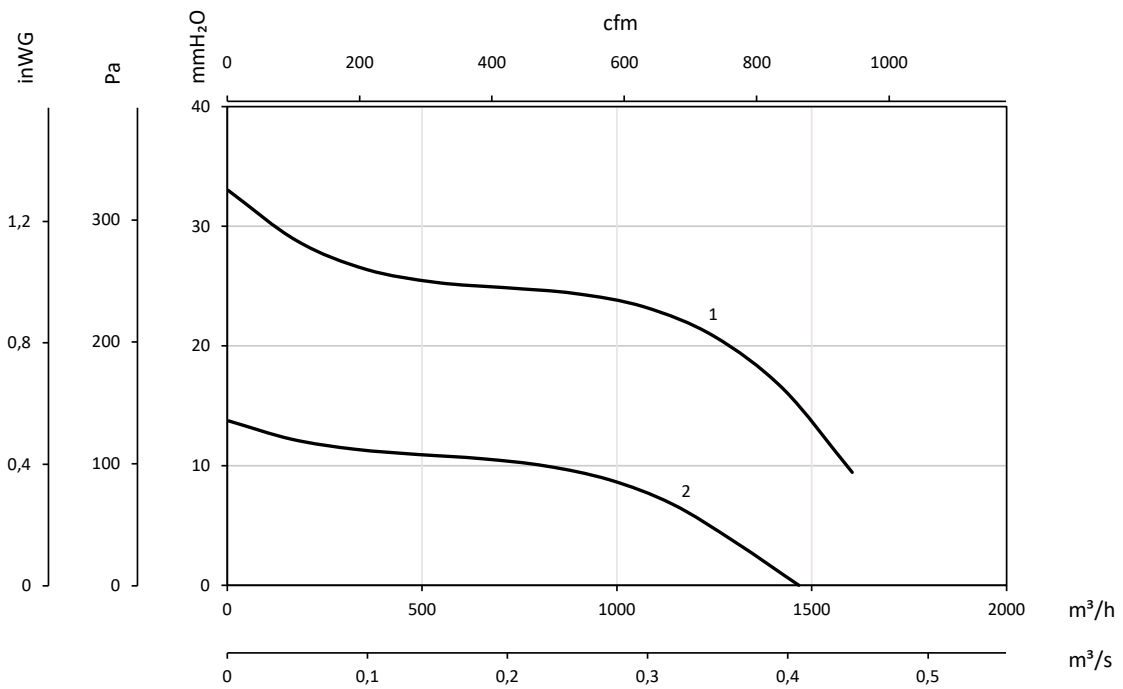


	A	B	C	D1	D2	E	K	L
1919	490	490	490	428	428	91	247	226
2525	550	550	550	488	488	86	317	279
2828	605	605	605	543	543	88	343	306
3333	680	680	680	618	618	84	404	360
3939	855	855	855	793	793	145	486	419

Characteristic curves

Q= Flow rate in m³/h, m³/s and cfm

Pe= Static pressure in mm H₂O, Pa and inwg

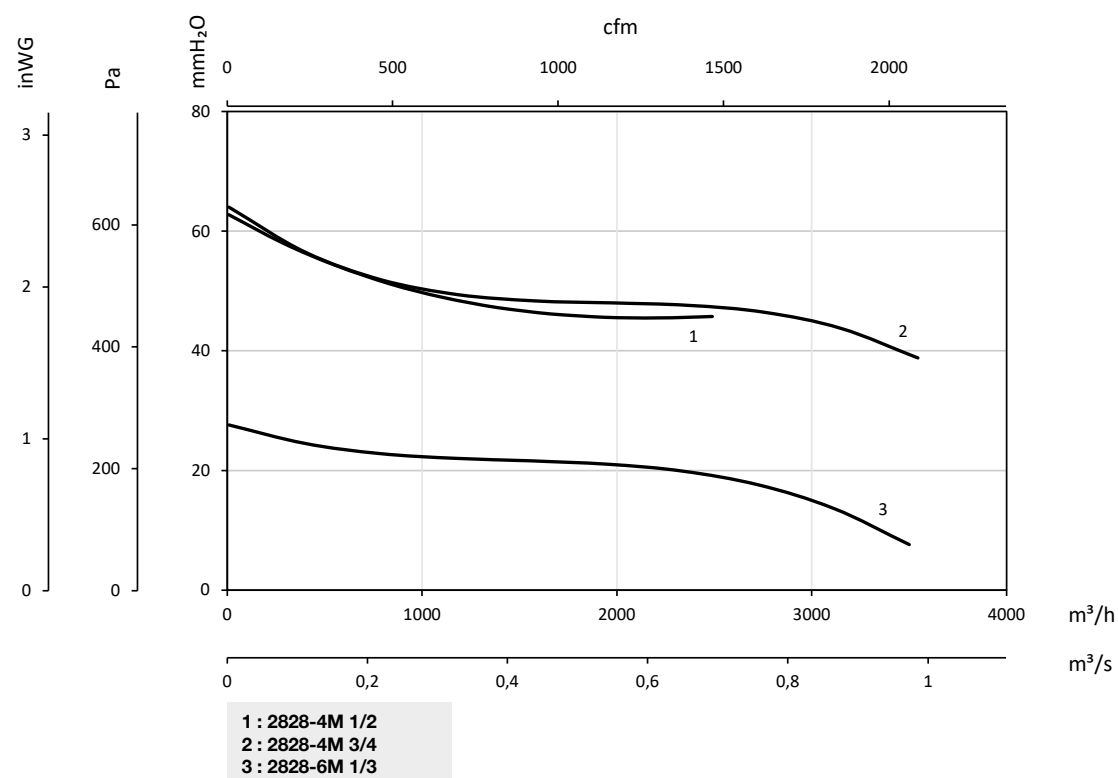
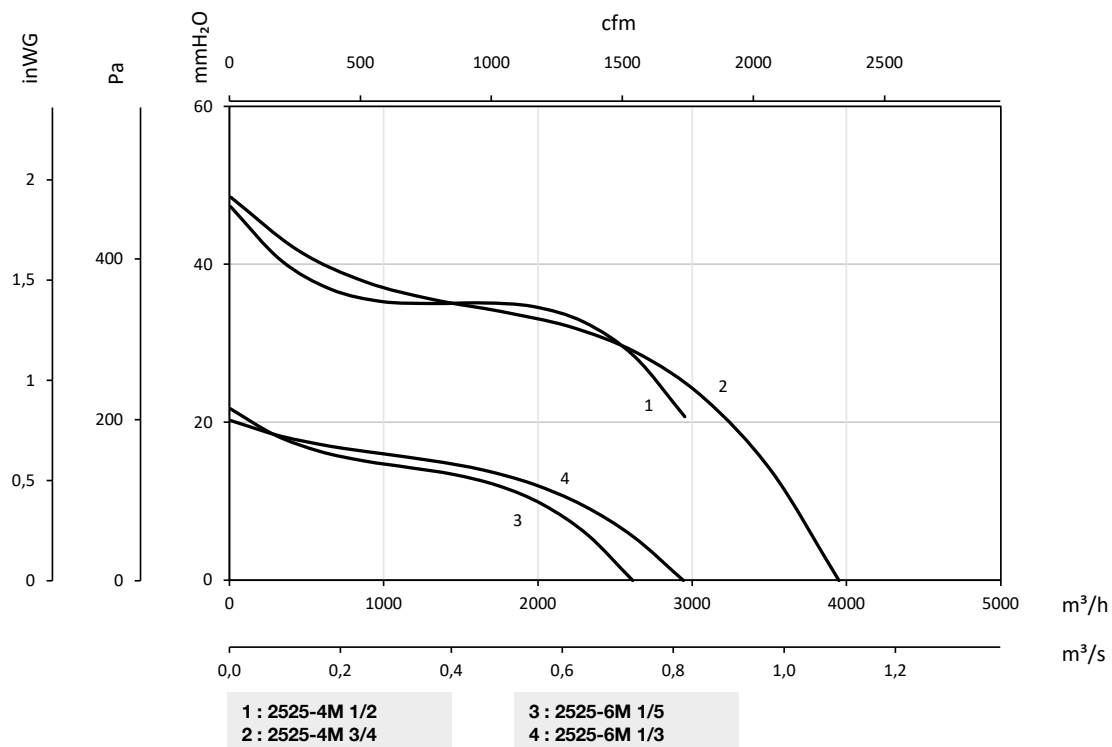


1 : 1919-4M 1/5
2 : 1919-6M 1/10

Characteristic curves

Q= Flow rate in m³/h, m³/s and cfm

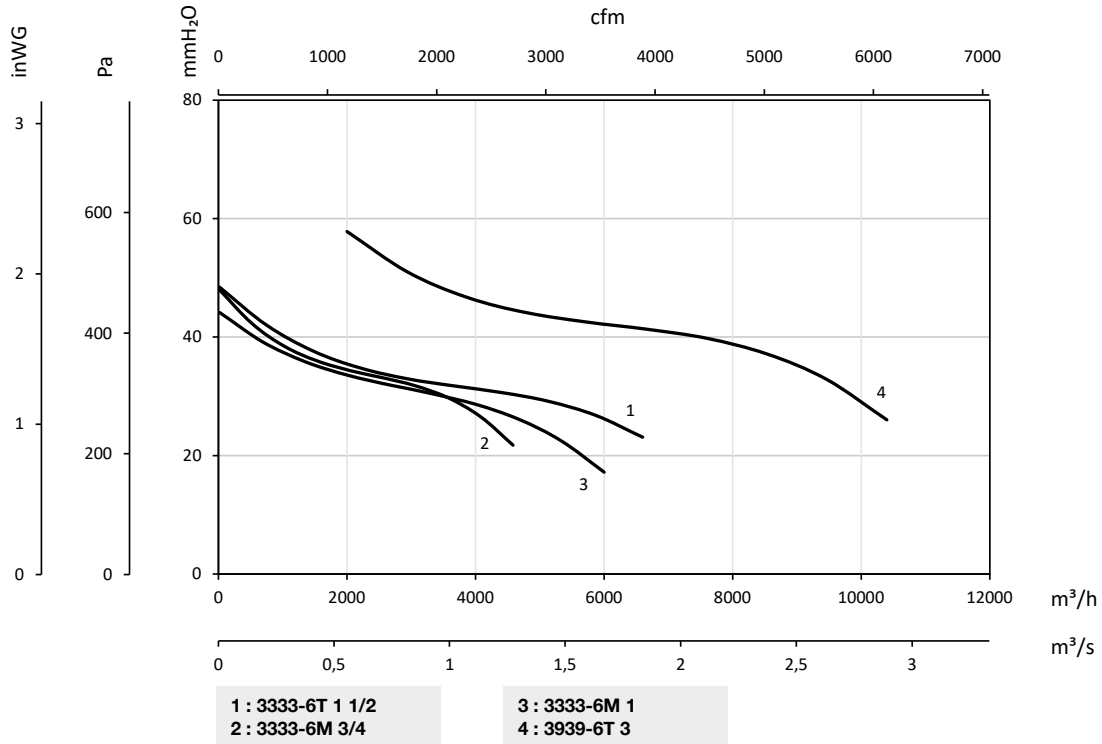
Pe= Static pressure in mm H₂O, Pa and inwg



Characteristic curves

Q= Flow rate in m³/h, m³/s and cfm

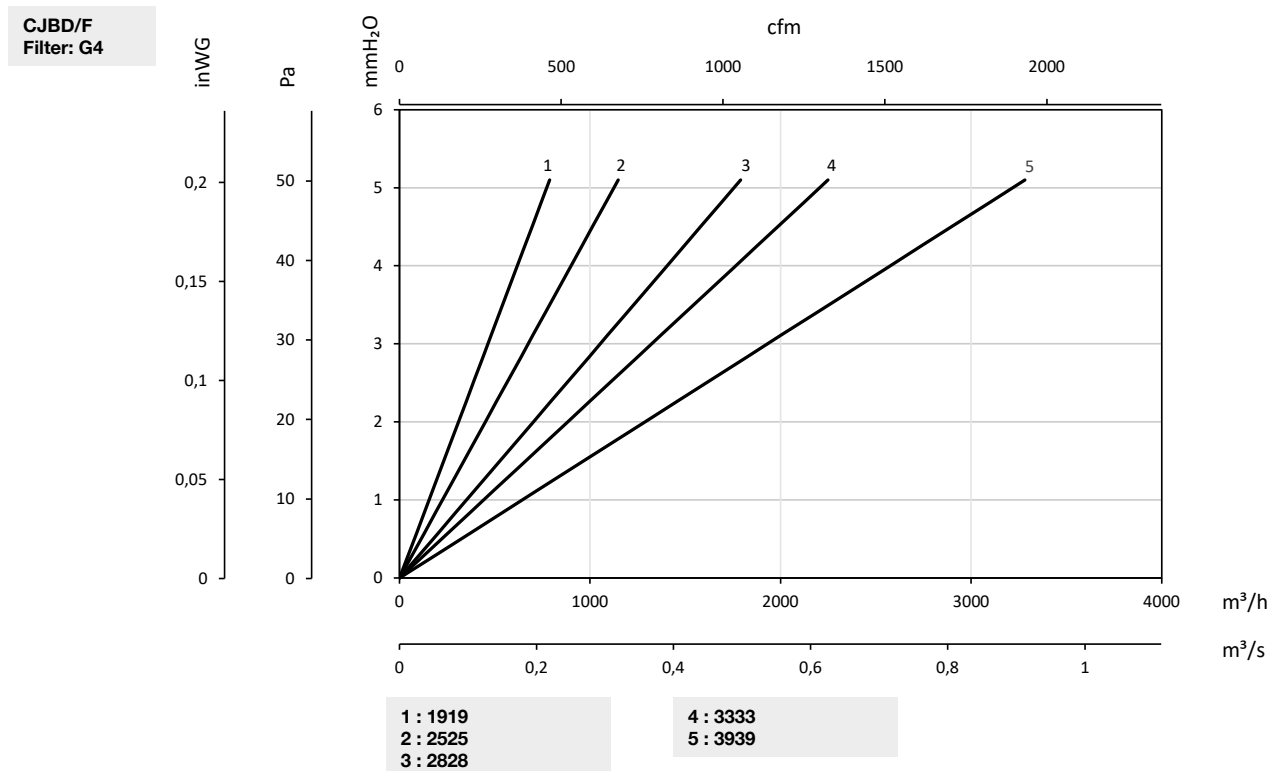
Pe= Static pressure in mm H₂O, Pa and inwg



Load loss curves of units with filters

Q= Flow rate in m³/h, m³/s and cfm

Pe= Static pressure in mm H₂O, Pa and inwg

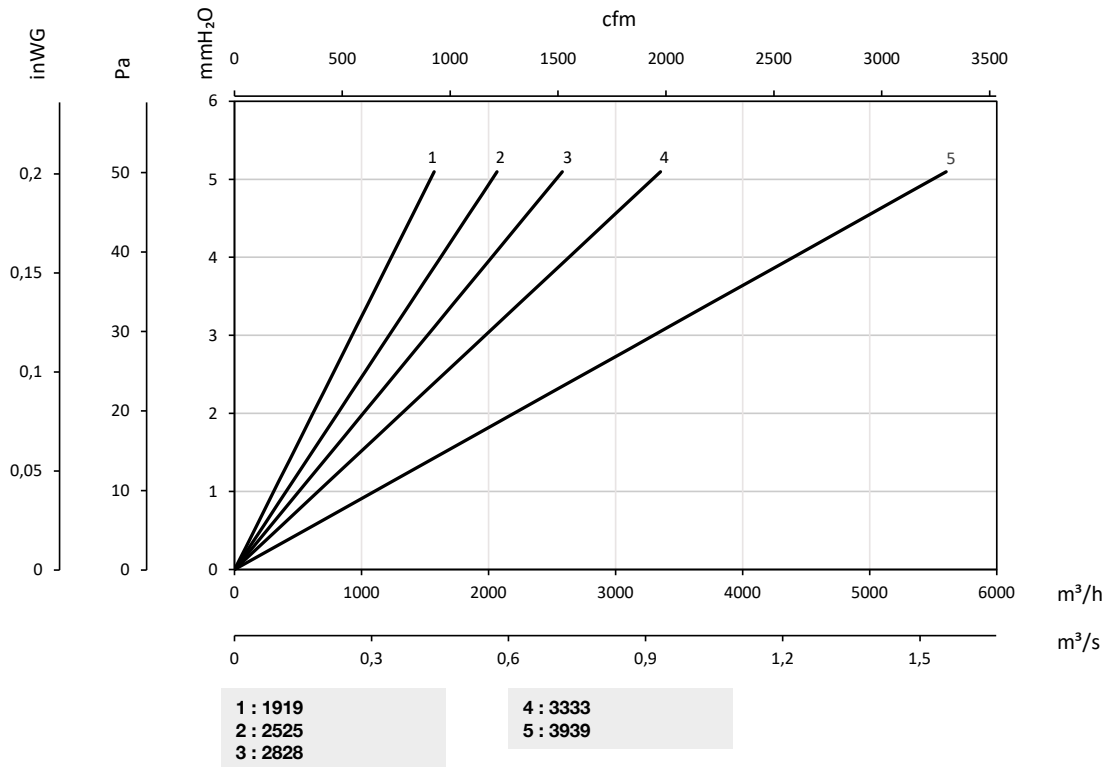


Load loss curves of units with filters

Q= Flow rate in m³/h, m³/s and cfm

Pe= Static pressure in mm H₂O, Pa and inwg

CJBD/ALF
Filter: G4



Accessories



INT



VSD3/A-RFT
- VSD1/A-RFM



VSD1/M



VIS



TEJ